

# SOLID Framed

60 cell

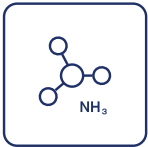
Framed \_ Glass/Glass \_ Transparent



Fire class A



Extreme load resistance



Ammonia resistance



Salt mist resistance



98,8 % recyclable



Hail resistance



35% of recycled glass content

Positive sorting up to +5W

Front side ⚡ 370 W



**30** Year product warranty

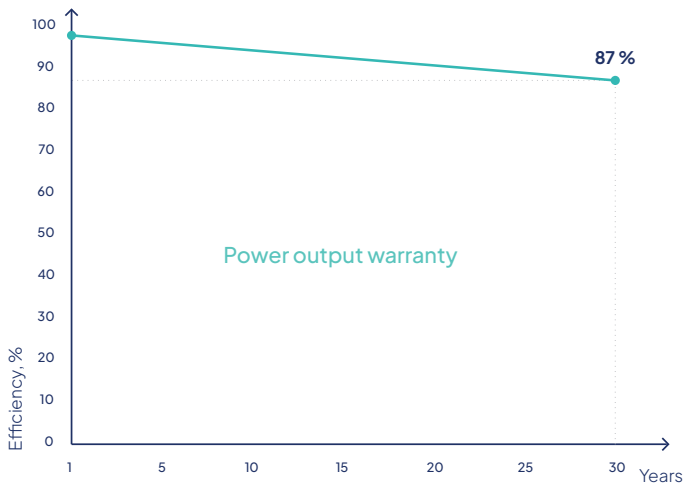
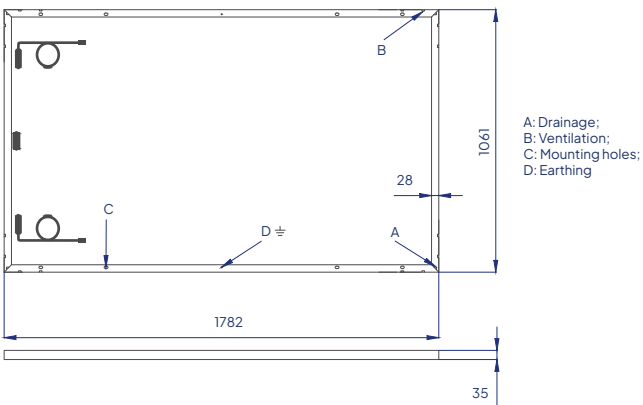
**87%** Power warranty

**30** Year efficiency warranty

Electrical data (STC*)	
Maximum power (W)	370
Cell technology	Bifacial
Open circuit voltage ( $V_{oc}/V$ )	40,50
Short circuit current ( $I_{sc}/A$ )	11,18
Max power voltage ( $V_{mpp}/V$ )	34,86
Max power current ( $I_{mpp}/A$ )	10,62
Module efficiency (n)	19,57%
Max system voltage (V)	1000
Max current (A)	15
Power tolerance	0/+5W

\*Under standard test conditions (STC) of irradiance of 1000W/sq.m., spectrum AM1.5 and cell temperature of 25°C. Flash testing measurement accuracy of +/-5%.

Warranty	
30 years product warranty	
30 years efficiency warranty	
First year degradation (%)	2%
Annual degradation (%)	0.379%
Power in year 30 (%)	87%



Temperature ratings	
Current temperature coefficient ( $\alpha$ )	+0.036% / °C
Voltage temperature coefficient ( $\beta$ )	-0.265% / °C
Power temperature coefficient ( $\delta$ )	-0.362% / °C
Nominal operating module temperature	46 °C
Mechanical data	
Dimensions (LxWxH) (mm)	1782x1061x35 mm
Weight (kg)	24
Front glass (mm)	2
Back glass (mm)	2, transparent
Cell Size (mm)	166x166
Busbars	9
Cell configuration	6x10
Frame	Black anodized aluminium frame
Rated operating altitude	Up to 2000 m
Operating temperature (°C)	-40 ÷ +85
Maximum test load (wind/snow) (Pa)	3600/8100
Junction box / IP class	Split junction box / IP68
Cable cross section size (mm <sup>2</sup> )	4
Cable length	1,2 m
Bypass diodes	3
Connector	MC4 compatible

Packing information	
Modules per pallet	30 pcs
Dimensions of a pallet (LxWxH)	1840x1140x1280 mm
Weight of a pallet (gross)	782 kg
Pallets per 13.6 m truck	28 pcs
Modules per 13.6 m truck	840 pcs

Certifications	
IEC 61215:2021; IEC 61730:2016; UL 61730:2017	
Cradle to Cradle (C2C)	Silver level
IEC 62716:2013	Ammonia corrosion testing
IEC 61701:2020	Salt mist corrosion testing
IEC 61215-2:2021	Hailstone (25 mm)
ISO 9001:2015	Quality management systems
ISO 14001:2015	Environmental management systems
ISO 45001:2018	Occupational health and safety
SundaHus	A level assessment
Produced using 100% renewable energy	
Membership at Svensk Solenergi	



This datasheet is not legally binding. The manufacturer reserves the right to make changes to product specifications and / or product features without prior notice. The most recent versions of all documents (T&C's, datasheets, warranties and installation manuals) can always be found on our website at [www.solitek.eu](http://www.solitek.eu)

