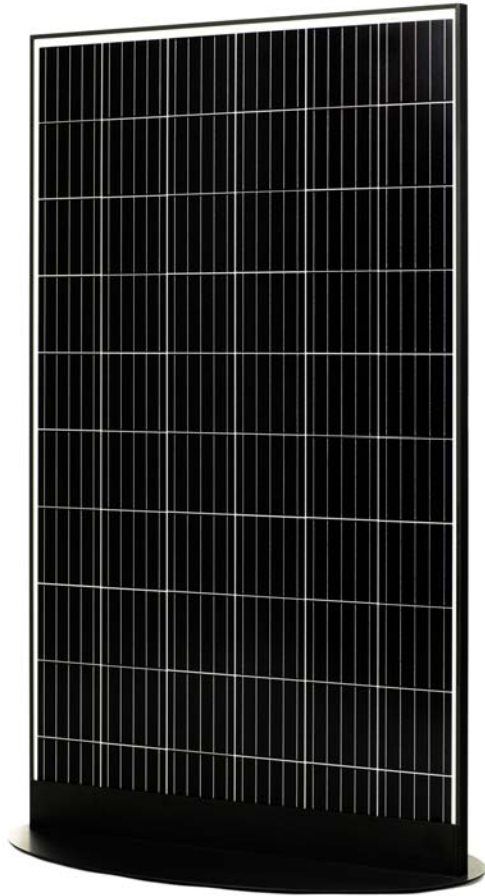


SoliTek is a European manufacturer of top quality PV cells and modules with headquarters and production plant in Vilnius, Lithuania.

The company combines the most sophisticated technologies and 20 years of experience.



# 20

years product guarantee

# 25

80% max output guarantee

Working conditions	
Maximum system voltage	DC 1000 V (TUV)
Operating temperature	-40°C / +85°C
Maximum reverse current	15 A
Maximum wind /snow load	1600/3600Pa**
IP protection level	67
Safety class	II

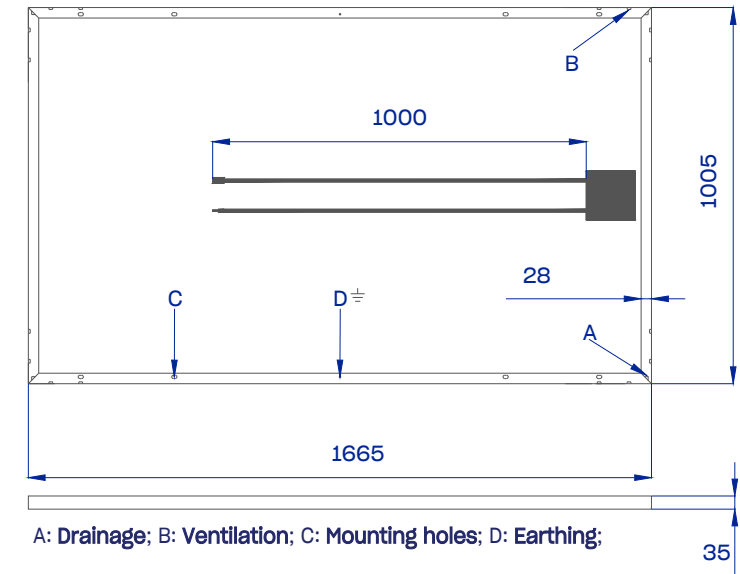
\*\*Safety factor 1,5

Temperature coefficients	
Current temperature coefficient ( $\alpha$ )	+0,060% /° C
Voltage temperature coefficient ( $\beta$ )	-0,34% /° C
Power temperature coefficient ( $\delta$ )	-0,40% /° C
Nominal Operating Module Temperature	45±2°C

Electrical parameters			
Parameter		Unit	Value
Maximum power*	Pmax	W	335
Maximum power point voltage	Vmpp	V	33,68
Maximum power current	Imp	A	9,95
Open circuit voltage	Voc	V	41,89
Short circuit current	Isc	A	10,16
Efficiency	$\eta$	%	20,02

\*Under Standard Test Conditions (STC) of irradiance of 1000W/sq. m., spectrum AM 1.5 and cell temperature of

Mechanical data	
Cell size	158,75x158,75
Number of cells	60 (6x10)
Front side glass	3,2 mm
Weight	18 kg
Dimensions (L x W x H)	1665x1005x35
J-box	IP67
Cable length	1 m
Cable cross section size	4 mm <sup>2</sup>
Number of diodes	3
Plug-in connection	MC4 compatible
Frame	Black anodized aluminium frame
Packaging per pallet	30 modules
Packaging per truck	30 pallets



A: Drainage; B: Ventilation; C: Mounting holes; D: Earthing;



### Certificates and memberships



Mokslininku str. 6A,  
Vilnius 08412, Lithuania  
Tel. +370 5 263 8774  
info@solitek.eu  
www.solitek.eu